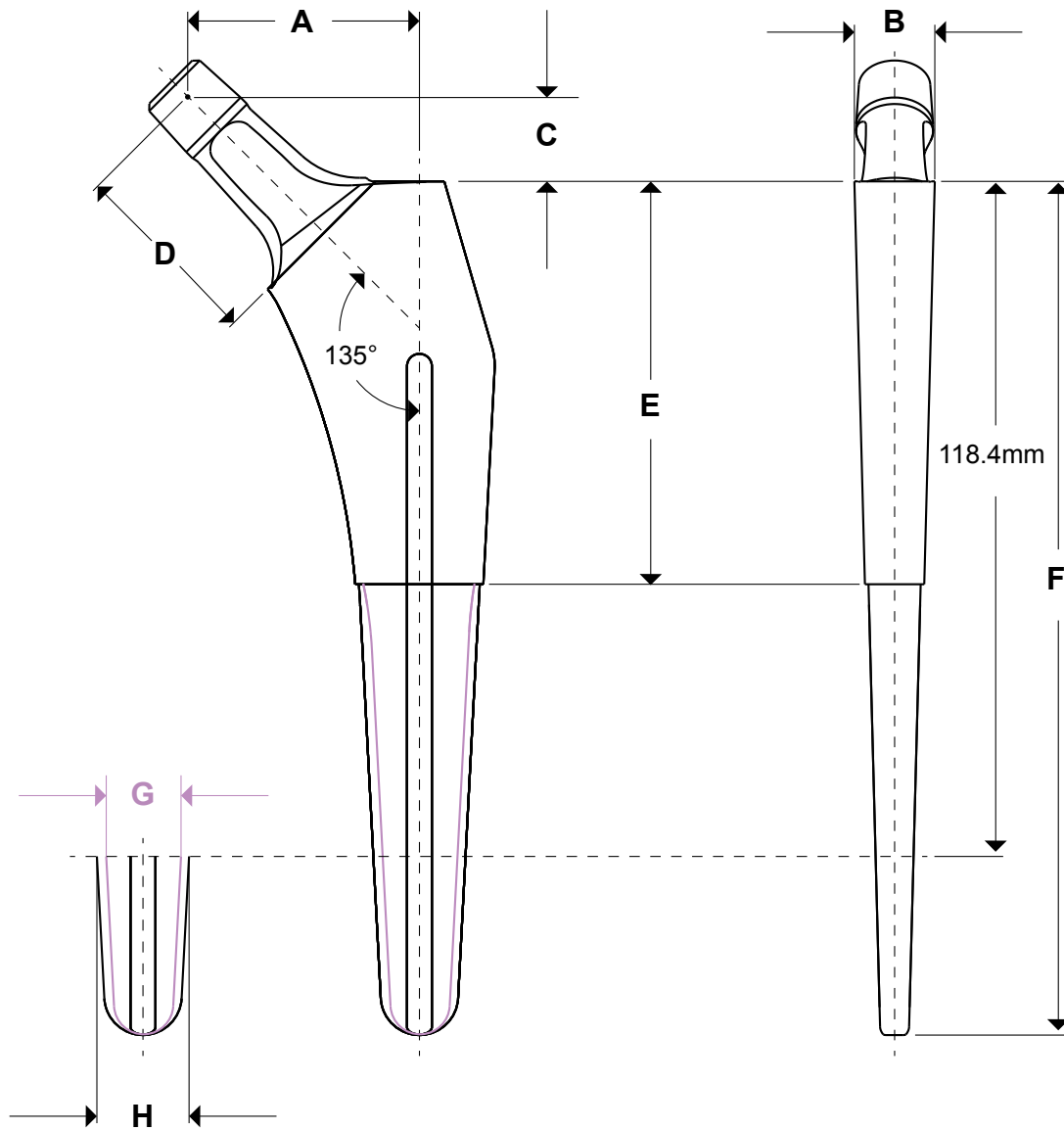


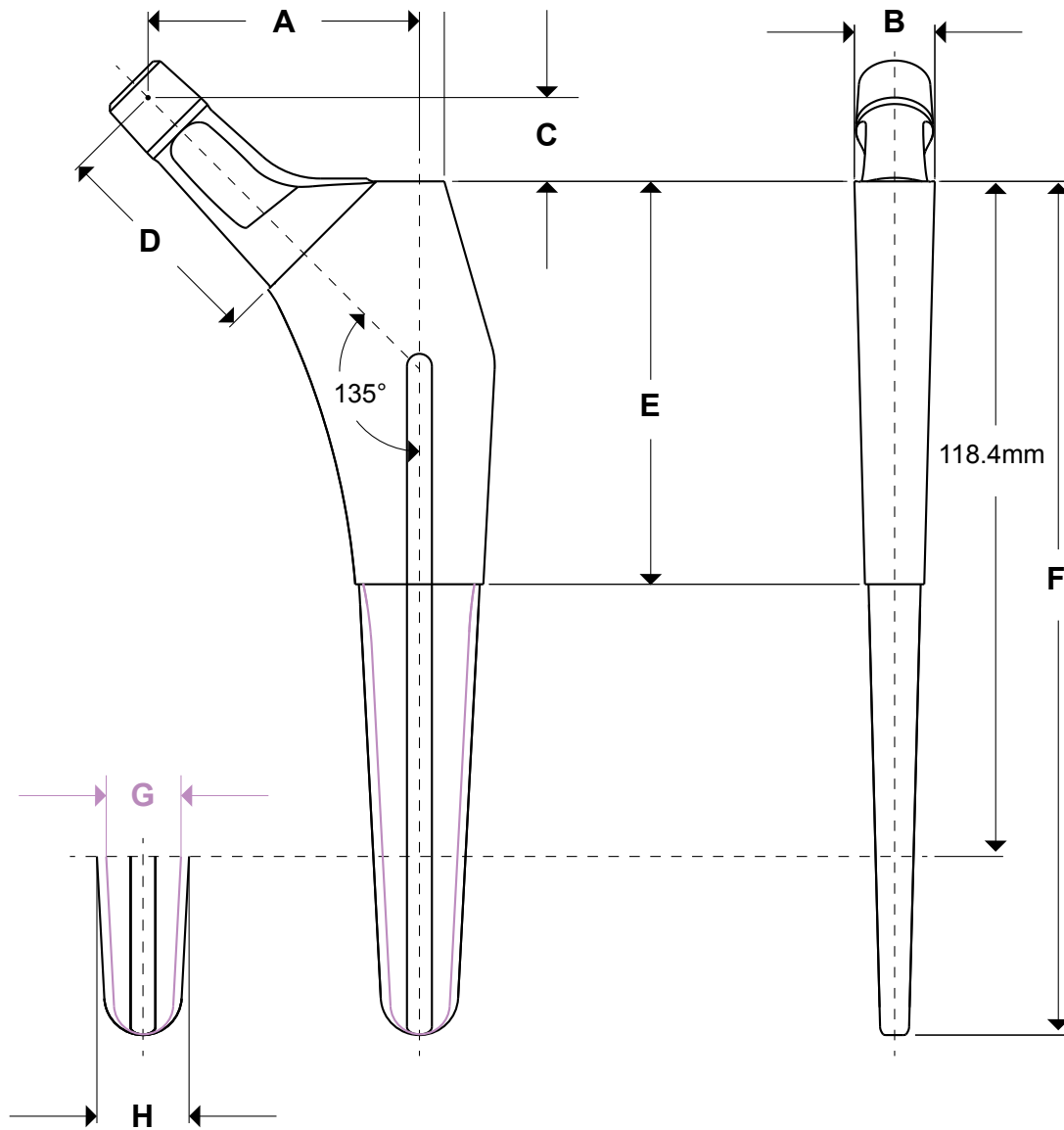
Reliable Innovation

Standard Taperset Dimensions

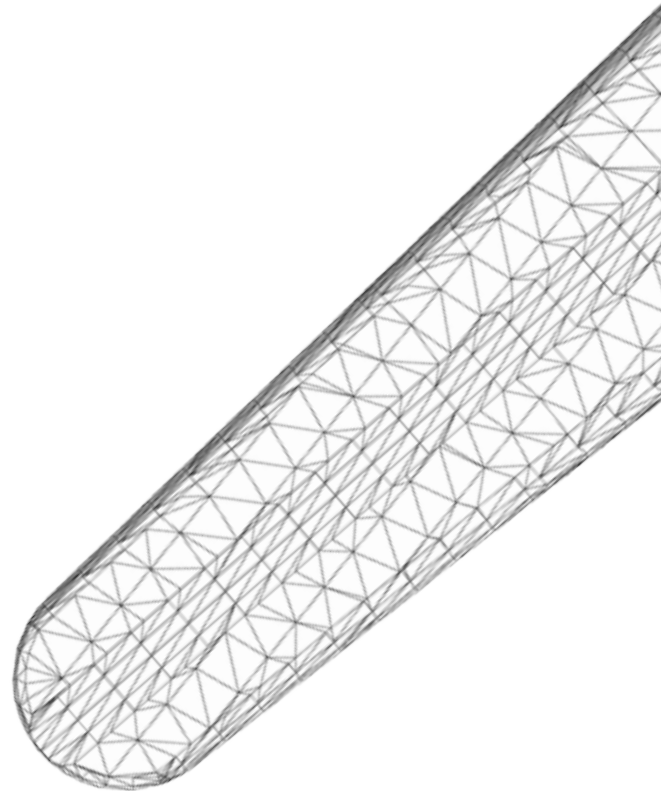


	A	B	C	D	E	F	G	H
Size	Offset	A/P Thickness	Offset Height	Neck Length	Porous Length	Length	RDP Width @ Pt	Width @ Pt
5	29.9mm	10.7mm	9.5mm	26.4mm	60.1mm	129.1mm	-	5mm
6	30.9mm	10.9mm	9.9mm	26.9mm	61.1mm	130.9mm	-	6mm
7.5	32.4mm	11.2mm	10.6mm	27.9mm	62.6mm	133.7mm	-	7.5mm
9	33.8mm	11.5mm	11.2mm	28.9mm	64.1mm	136.5mm	-	9mm
10.5	35.3mm	11.8mm	11.9mm	29.9mm	65.7mm	139.3mm	9mm	10.5mm
12	36.8mm	12.1mm	12.6mm	30.9mm	67.2mm	142.4mm	10.5mm	12mm
13.5	38.2mm	12.4mm	13.2mm	31.8mm	68.7mm	145.4mm	10.5mm	13.5mm
15	39.7mm	12.7mm	13.9mm	32.9mm	70.0mm	148.5mm	12mm	15mm
16.5	41.1mm	13.0mm	14.6mm	33.9mm	71.5mm	151.5mm	13.5mm	16.5mm
18.5	42.8mm	13.4mm	15.3mm	34.9mm	73.5mm	155.3mm	15mm	18.5mm
21	44.5mm	13.9mm	16.2mm	35.9mm	76.1mm	160.4mm	16.5mm	21mm
24	46.5mm	14.5mm	17.0mm	36.9mm	79.1mm	166.5mm	18.5mm	24mm

Lateral TaperSet Dimensions



	A	B	C	D	E	F	G	I
Size	Offset	A/P Thickness	Offset Height	Neck Length	Porous Length	Length	RDP Width @ Pt	Width @ Pt
5	36.9mm	10.7mm	9.4mm	31.4mm	60.2mm	129.2mm	-	5.0mm
6	37.9mm	10.9mm	9.8mm	31.9mm	61.2mm	131.1mm	-	6.0mm
7.5	39.4mm	11.2mm	10.4mm	32.8mm	62.7mm	133.9mm	-	7.5mm
9	40.9mm	11.5mm	11.1mm	33.8mm	64.3mm	136.7mm	-	9.0mm
10.5	42.3mm	11.8mm	11.8mm	34.7mm	65.8mm	139.4mm	9mm	10.5mm
12	43.8mm	12.1mm	12.5mm	35.8mm	67.3mm	142.5mm	10.5mm	12.0mm
13.5	45.2mm	12.4mm	13.1mm	36.7mm	68.8mm	145.5mm	10.5mm	13.5mm
15	46.7mm	12.7mm	13.8mm	37.6mm	70.1mm	148.6mm	12mm	15.0mm
16.5	48.1mm	13.0mm	14.5mm	38.6mm	71.6mm	151.6mm	13.5mm	16.5mm
18.5	49.8mm	13.4mm	15.2mm	39.6mm	73.7mm	155.4mm	15mm	18.5mm
21	51.5mm	13.9mm	16.0mm	40.6mm	76.2mm	160.5mm	16.5mm	21.0mm
24	53.5mm	14.5mm	16.9mm	41.7mm	79.2mm	166.6mm	18.5mm	24.0mm



1115 Windfield Way, Suite 100
El Dorado Hills, Ca 95762
☎ 916-355-7100, 📠 916-355-7190
✉ info@consensusortho.com
🌐 consensusortho.com